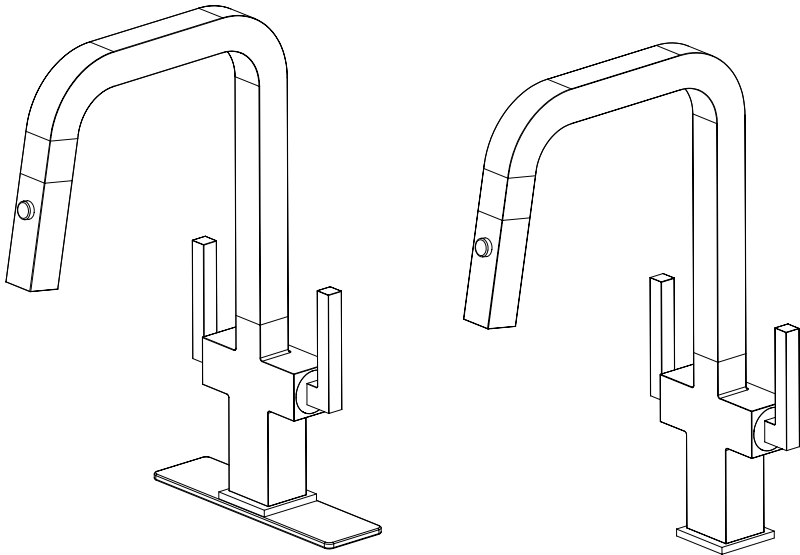


## INSTALLATION AND CARE GUIDE

---

### TWO HANDLE PULL-DOWN KITCHEN FAUCET



---

**Thank You**

**We recommend our products be installed by a professional.** We appreciate the trust and confidence you have placed in our OAKLAND products. We strive to continuously create quality products designed to enhance your home at an affordable price. Please visit our distributor's website to see our full line of products available for your home improvement needs.

[WWW.SINKAUTHORITY.COM](http://WWW.SINKAUTHORITY.COM)

## Helpful Tools

### Tools:

Gather the necessary tools as shown below to complete the installation of the faucet. (Nothing else, just the picture).



Plumber's Putty



Flashlight



Basin Wrench



Safety Glasses



Screwdriver



Pliers



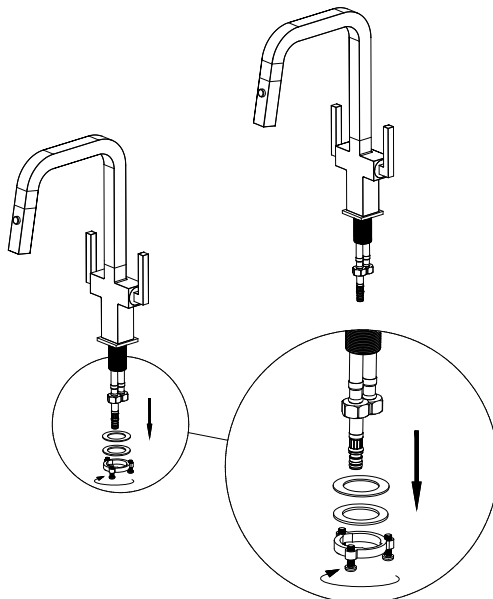
Channel Locks



Adjustable Wrench

## Pre-Installation

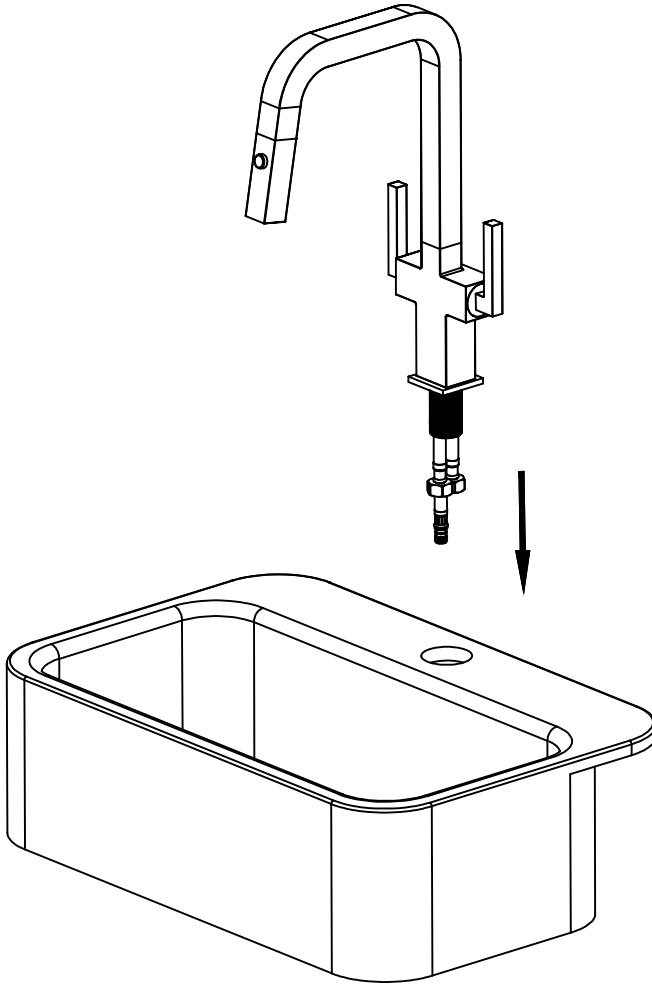
1. CAUTION: Always shut off the water supply before removing/replacing a faucet.
2. Remove the mounting nut, rubber, and metal washer from the bottom (shank) of the faucet as shown in the diagram below.



## Installation

### Installing the faucet assembly:

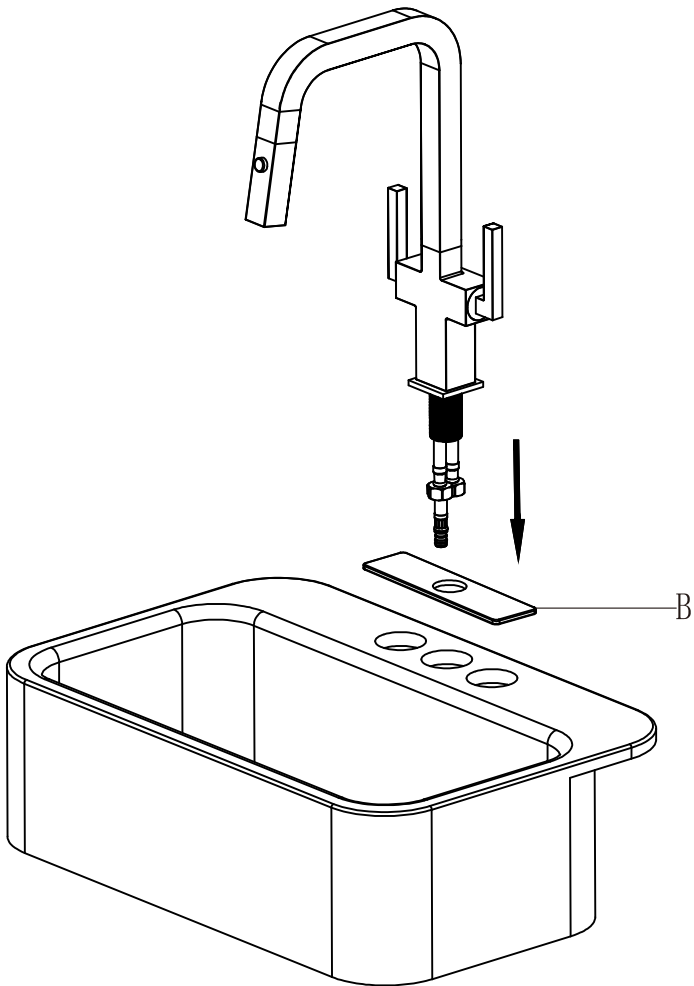
3. Insert the faucet body through the precut granite/marble/sink hole. The mounting hardware is installed from under the sink.



## Installation

### 3A: OPTIONAL: INSTALL WITH DECKPLATE/3 HOLE COVER

1. The deck plate (B) is not included but can be purchased separately.
2. Place the deck plate (B) through the hot/cold connection and sprayer hose (if applicable). The deck plate should be placed to cover the precut 3 holes of the sink or countertop.

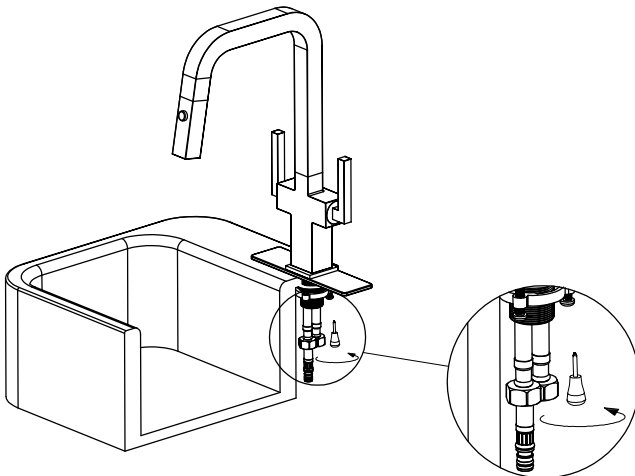
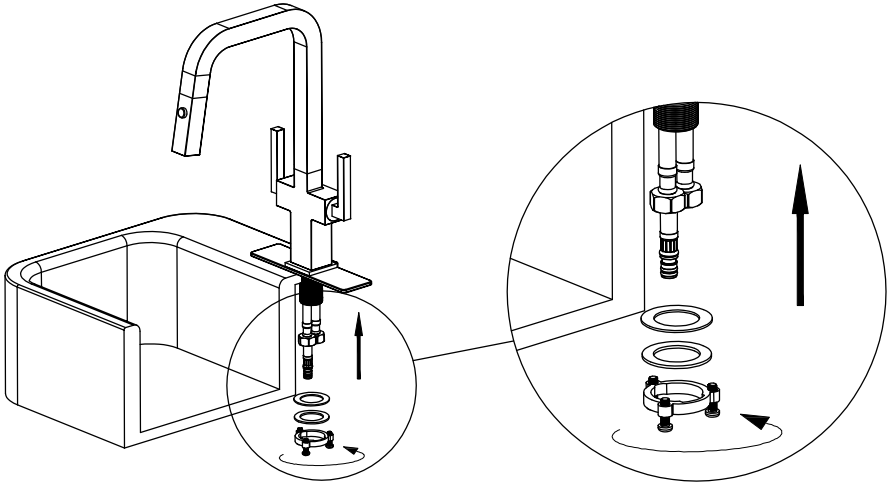


# Installation

## 4: Securing faucet to cutout

From underneath the sink, secure the faucet assembly to the sink with the mounting nut rubber ( C ) and metal washer ( D ).

Use a screw driver to tighten the screws on the metal nut ( E ).

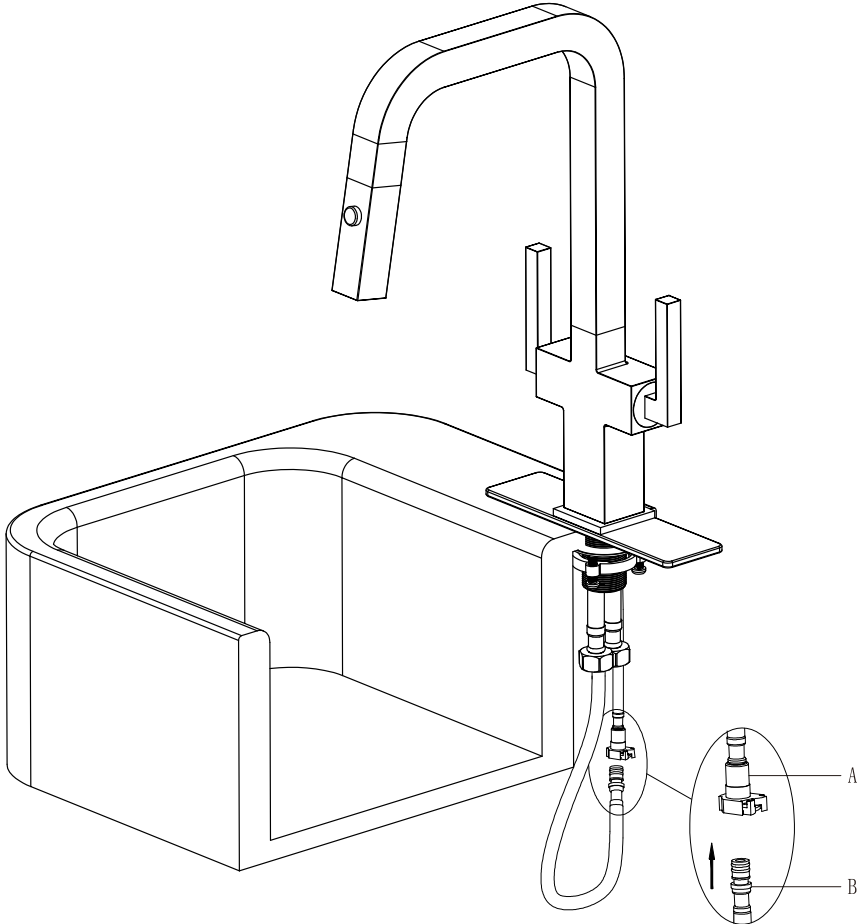


## Installation

### 5: Attaching the sprayer hose to the quick connector

Push the sprayer hose ( B ) into the quick connect ( A ).

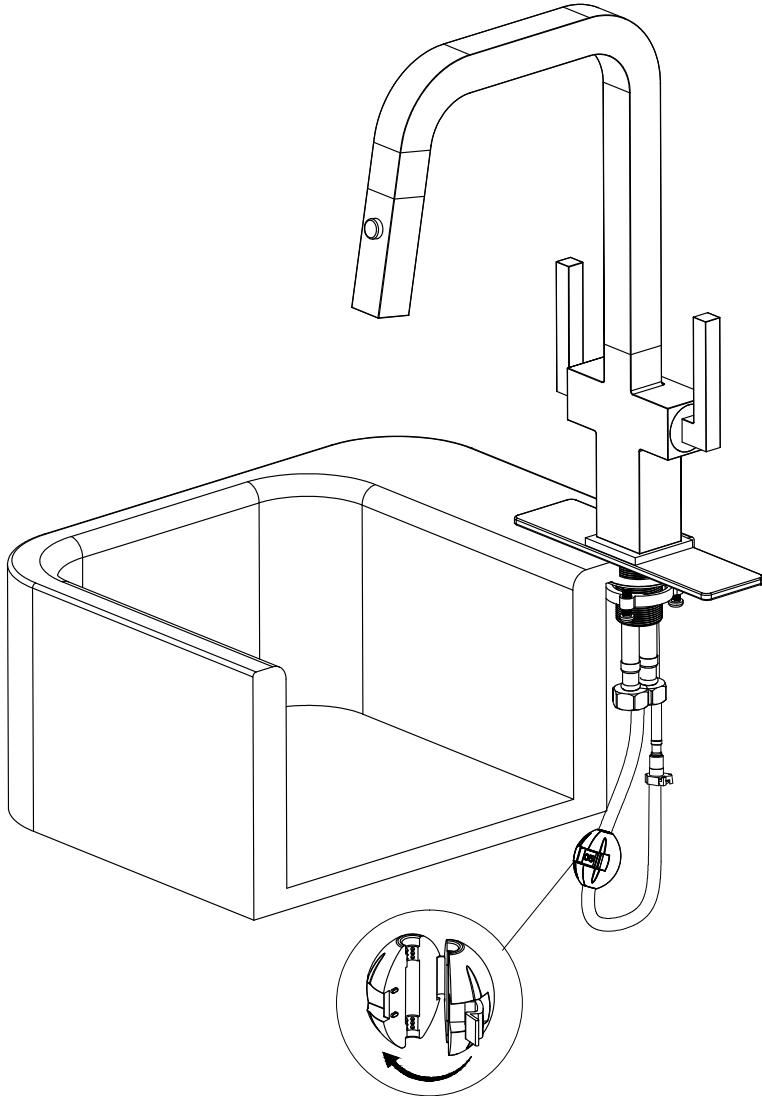
You should hear a click to ensure a successful connection.



## Installation

### 6: Installing the weight

Use the 2 screws to loosen the weight as shown in the diagram below. When the weight is positioned, tighten the screws. Check the sprayer head for smooth operation. If the sprayer head does not go back into the slot on it's own, adjust the weight upwards towards the faucet.

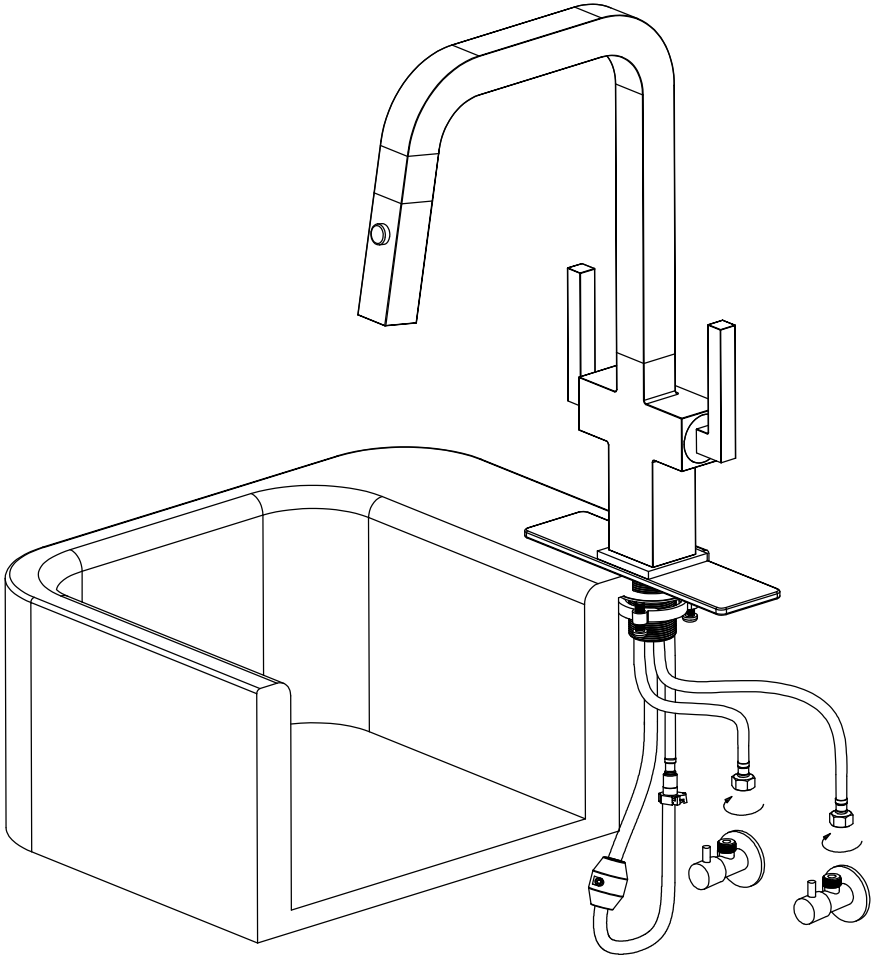


## Installation

### 7. Making the water supply connection

Thread the nut on the water supply line (1) into the outlet of the water supply valve (2) and tighten with a wrench. **DO NOT** overtighten.

Note: the hot and cold supply lines are indicated by red (hot) and blue (cold).

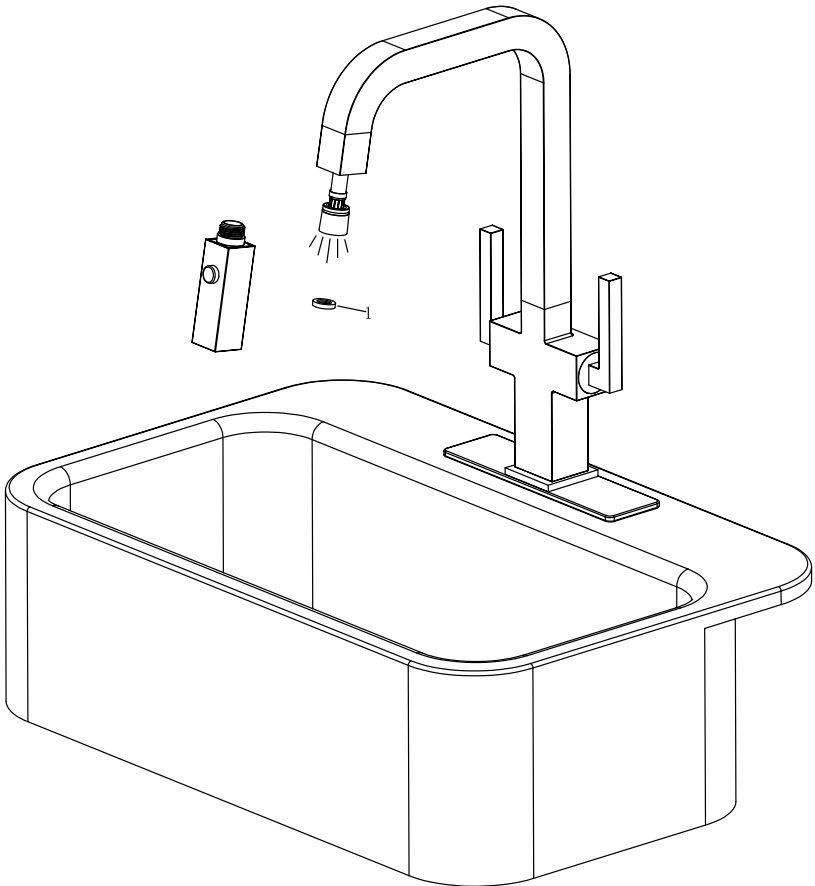




## Operation

### 8. Flushing and checking for leaks:

Pull the sprayer hose out and unscrew the head. Take out the washer from the end of the hose. The diagram indicates the sprayer hose and the washer. The washer is important for the flow of the sprayer head to stay consistent. Make sure not to lose this washer. Be sure to hold the sprayer hose so it does not go into the faucet and pull down towards the sink. Put the water on and flush out any debris. This step is essential in keeping the sprayer head from clogging with debris from the initial installation. Reinstall the sprayer head by screwing it back on. No tools necessary.



## Care and Cleaning

To clean the faucet, wipe down with a damp cloth and then with a dry towel. DO NOT use abrasive cleaners, steel wool, or harsh chemicals when cleaning the faucet, or the warranty will be voided.

## Troubleshooting

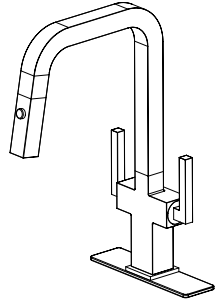
PROBLEM	POSSIBLE CAUSE	SOLUTION
Leaks under the handle	The bonnet nut that holds the handle into place has come loose The O- ring on the cartridge is dirty or damaged	Tighten the bonnet nut Clean or replace the O- ring
The aerator leaks or has an inconsistent water flow pattern	The aerator is dirt or mis fitted The Cartridge may be clogged	Remove the aerator and check for debris in the screen Remove the cartridge and check for debris
There are leaks from the hose under the deck	The supply hose or discharge tube connection may be loose	Tighten the supply hose or discharge tube
The spray hose does not retract	The weight is not installed in the proper position	Reinstall or readjust the weight
The water pressure is low	The screen gasket between the sprayer hose and sprayer is clogged	Turn off the water supply and unscrew the spray. Take out the screen gasket and clean under running water. Screw the sprayer head back into place
There is no hot or cold water	The water inlet hose was accidently kinked (bent) during installation and is limited the water flow through	Reinstall the water inlet hose

## SPECIFICATIONS

Model No.:KSK1219  
TWO HANDLE PULL-DOWN KITCHEN FAUCET

### Description

- Our pull-down system offers smoother operation, easy movement, and secure docking
- Extra long (60") kink-resistant braided sprayer hose extends beyond the sinks
- Spout swivel (360°) for a wide range of motion around the sink and surrounding areas
- High arc, gooseneck design offers ample height for filling pots and cleaning dishes
- Two-handle lever handle makes it easy to adjust the water
- Flexible supply line with PEX inner hose and 3/8" compression nut
- Quick-Connect Technology makes installation easier & quicker



### Operation

Lever style handle

Operates in stream or sprayer mode in the pull-down or retracted position

Metal lever handle with 1/4 turn handle stops.

Two lever handles offer separate control of hot and cold water.

### Flow

Flow is up to 2.2 gpm (8.3L/min)

### Cartridge

Premium grade ceramic disc cartridge

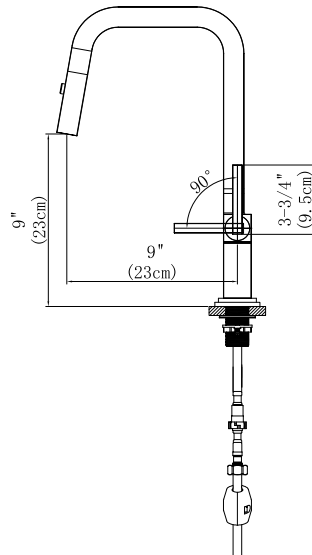
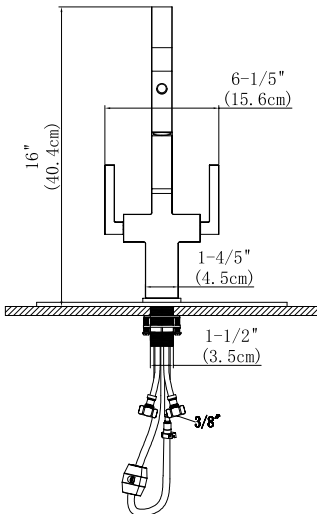
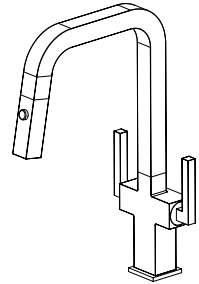
### Standards

Third party certified to IAPMO, ASME112.18.1/CAS B-125.1

Certified to NSF/ANSI 61/9&372

Complies with Federal Safe Drinking Water Act & California Health & Safety Code

The backflow protection system with Check valve prevent backflow.



The logo features a stylized 'O' composed of two dark, curved shapes that meet at the top, with a blue, glossy sphere positioned above the right side of the 'O'.

**Oakland**<sup>®</sup>

---

*Made with Pride*