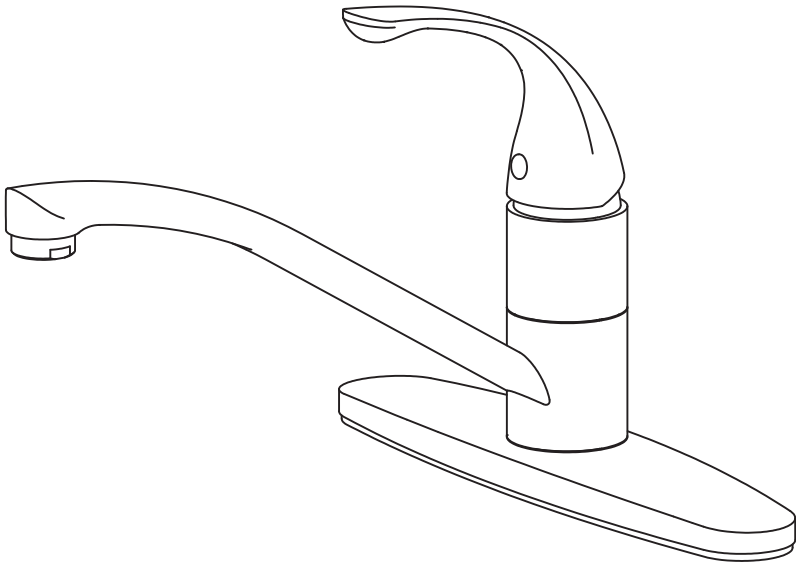


INSTALLATION AND CARE GUIDE

SINGLE HANDLE KITCHEN FAUCET



Thank You

We recommend our products be installed by a professional. We appreciate the trust and confidence you have placed in our OAKLAND products. We strive to continuously create quality products designed to enhance your home at an affordable price. Please visit our distributor's website to see our full line of products available for your home improvement needs.
WWW.SINKAUTHORITY.COM

Helpful Tools

Tools:

Gather the necessary tools as shown below to complete the installation of the faucet. (Nothing else, just the picture).



Plumber's Putty



Flashlight



Basin Wrench



Safety Glasses



Screwdriver



Pliers



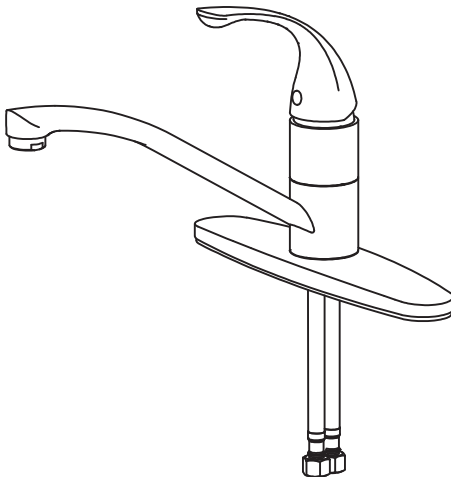
Channel Locks



Adjustable Wrench

Pre-Installation

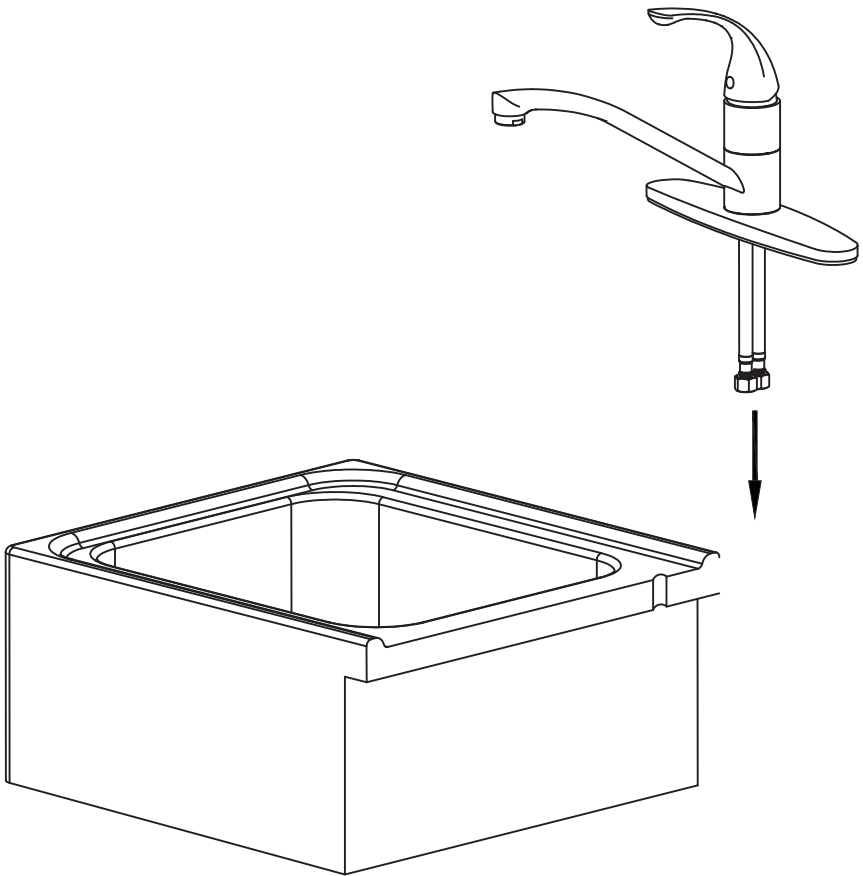
1. **CAUTION:** Always shut off the water supply before removing/replacing a faucet.



Installation

Installing the faucet assembly:

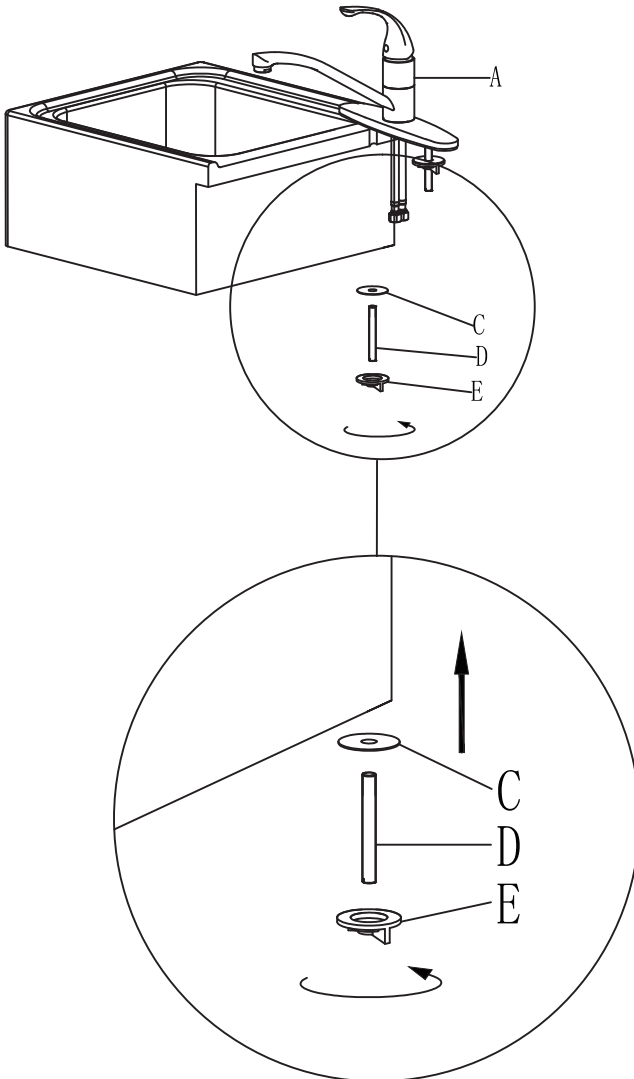
3. Insert the faucet body through the precut granite/marble/sink hole. The mounting hardware is installed from under the sink.



Installation

4: Securing faucet to cutout

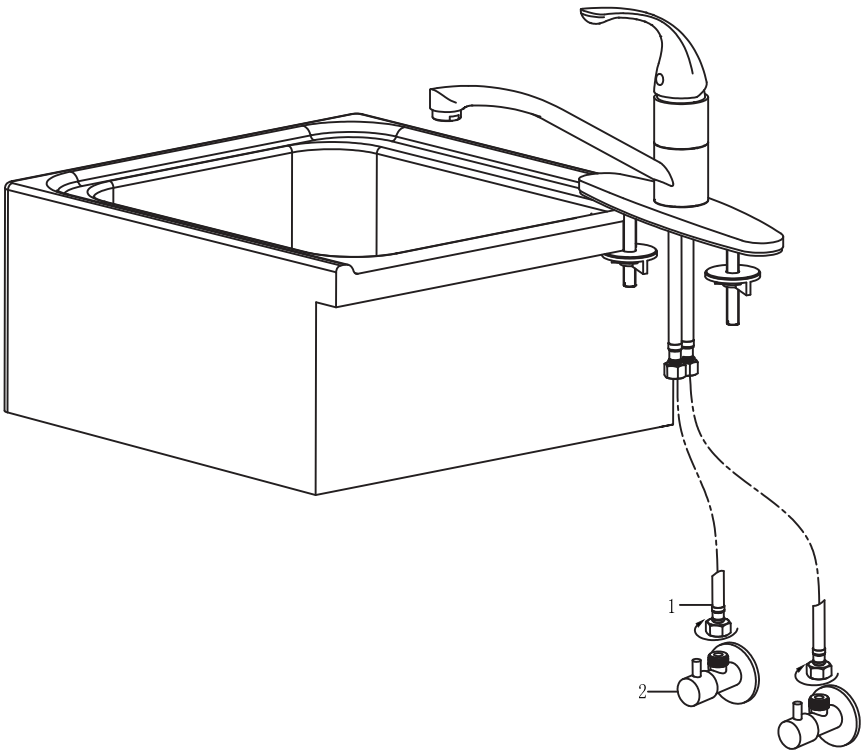
From underneath the sink, secure the faucet assembly to the sink with the mounting nut rubber (C) and metal washer (D). Use a screw driver to tighten the screws on the metal nut (E).



Installation

7. Making the water supply connection

Thread the nut on the water supply line (1) into the outlet of the water supply valve (2) and tighten with a wrench. DO NOT overtighten. Note: the hot and cold supply lines are indicated by red (hot) and blue (cold).



Care and Cleaning

To clean the faucet, wipe down with a damp cloth and then with a dry towel. DO NOT use abrasive cleaners, steel wool, or harsh chemicals when cleaning the faucet, or the warranty will be voided.

Troubleshooting

PROBLEM	POSSIBLE CAUSE	SOLUTION
Leaks under the handle	The bonnet nut that holds the handle into place has come loose The O- ring on the cartridge is dirty or damaged	Tighten the bonnet nut Clean or replace the O- ring
The aerator leaks or has an inconsistent water flow pattern	The aerator is dirt or mis fitted The Cartridge may be clogged	Remove the aerator and check for debris in the screen Remove the cartridge and check for debris
There are leaks from the hose under the deck	The supply hose or discharge tube connection may be loose	Tighten the supply hose or discharge tube
The spray hose does not retract	The weight is not installed in the proper position	Reinstall or readjust the weight
The water pressure is low	The screen gasket between the sprayer hose and sprayer is clogged	Turn off the water supply and unscrew the spray. Take out the screen gasket and clean under running water. Screw the sprayer head back into place
There is no hot or cold water	The water inlet hose was accidentally kinked (bent) during installation and is limited the water flow through	Reinstall the water inlet hose

SPECIFICATIONS

Model No.:KSK8131

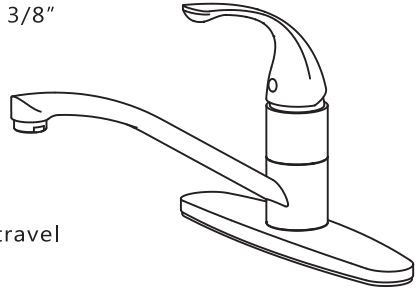
Single Handle Kitchen Faucet

Description

- Spout swivel (360°) for a wide range of motion around the sink and surrounding areas
- High arc, gooseneck design offers ample height for filling pots and cleaning dishes
- Single handle operation makes precise and convenient control
- Flexible supply line with PEX inner hose and 3/8" compression nut
- 100% Pressure System Tested

Operation

Lever style handle



Temperature controlled by 90° arc of handle travel

Flow

Flow is up to 2.2gpm (8.3L/min)

Cartridge

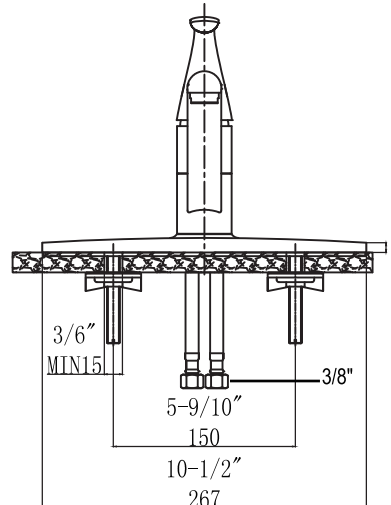
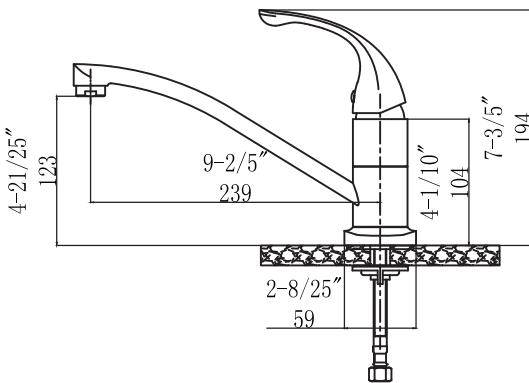
Premium grade ceramic disc cartridge

Standards

Third party certified to IAPMO, ASME112.18.1/CAS B-125.1

Certified to NSF/ANSI 61/9&372

Complies with Federal Safe Drinking Water Act & California Health & Safety Code





Made with Pride