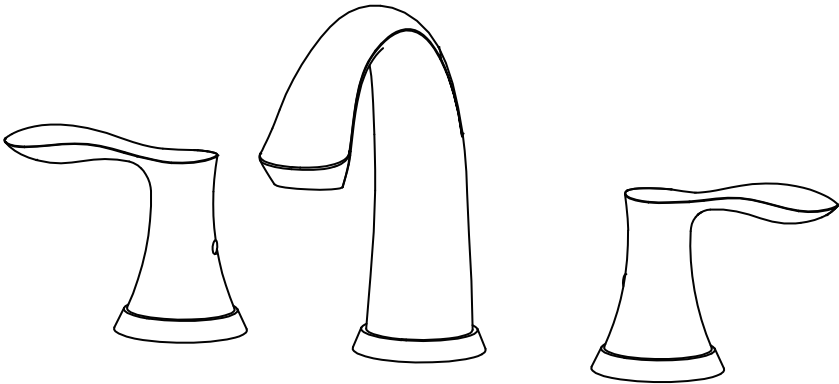


INSTALLATION AND CARE GUIDE WIDE SPREAD LAVATORY FAUCET



Thank You

We recommend our products be installed by a professional.

We appreciate the trust and confidence you have placed in our OAKLAND products. We strive to continuously create quality products designed to enhance your home at an affordable price. Please visit our distributor's website to see our full line of products available for your home improvement needs.

WWW.SINKAUTHORITY.COM

Helpful Tools

Tools:

Gather the necessary tools as shown below to complete the installation of the faucet.



Plumber's Putty



Flashlight



Basin Wrench



Safety Glasses



Screwdriver



Pliers



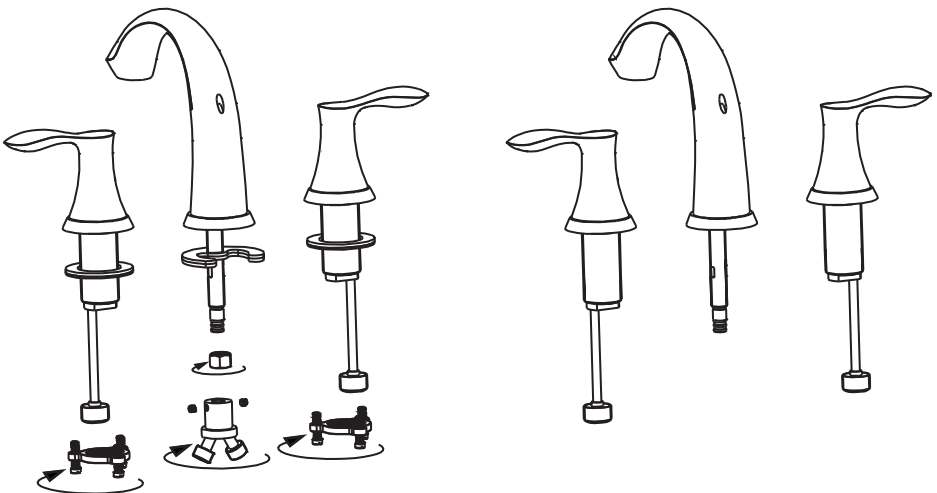
Channel Locks



Adjustable Wrench

Pre-Installation

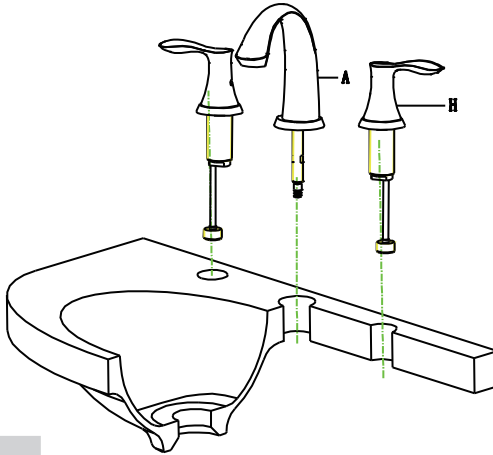
1. CAUTION: Always shut off the water supply before removing/replacing a faucet.
2. Remove the mounting nut, rubber, and metal washer from the bottom (shank) of the faucet as shown in the diagram below.



Installation

Installing the faucet assembly:

3. Insert the faucet body through the precut granite/marble/sink hole. The mounting hardware is installed from under the sink.

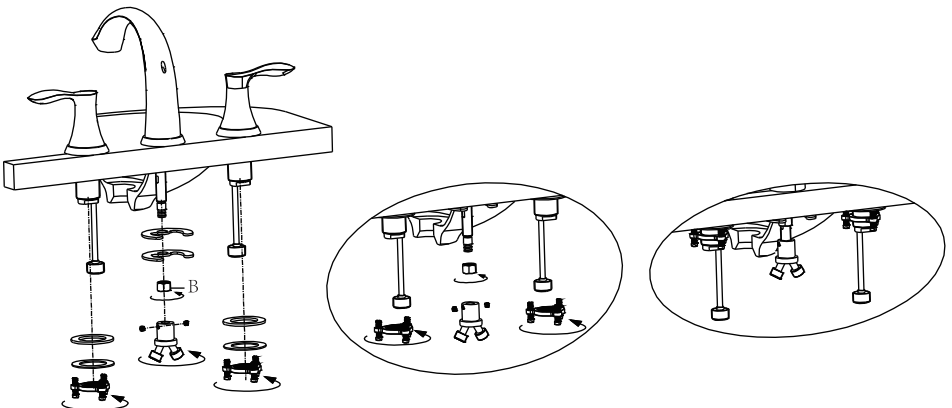


Installation

4: Securing faucet to cutout:

From underneath the sink, secure the faucet assembly to the sink with the mounting nut rubber and metal washer.

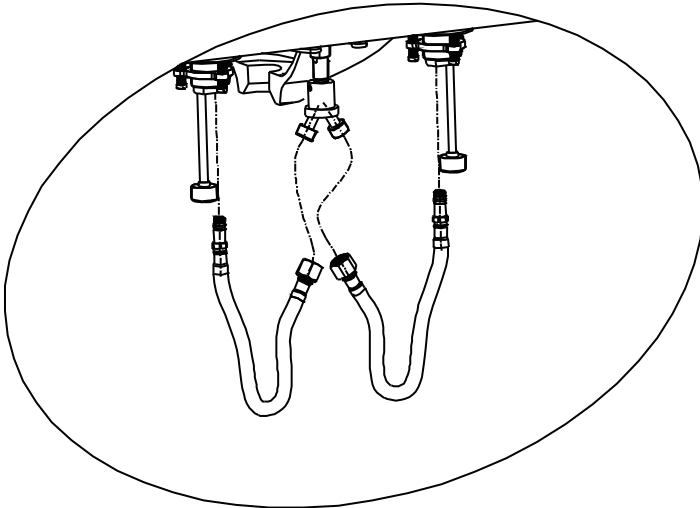
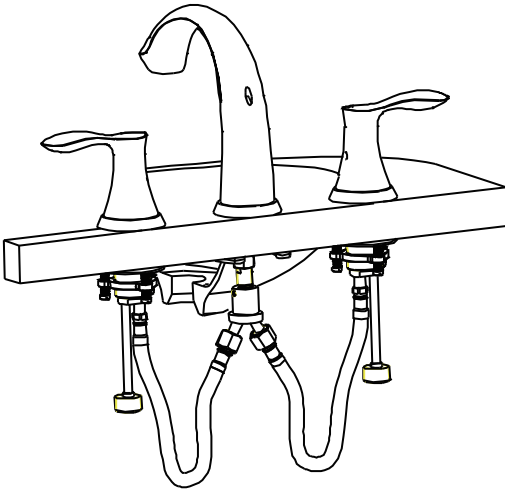
Use a screw driver to tighten the screws on the metal nut.



Installation

5: Attahching the connect hose

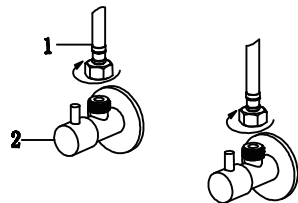
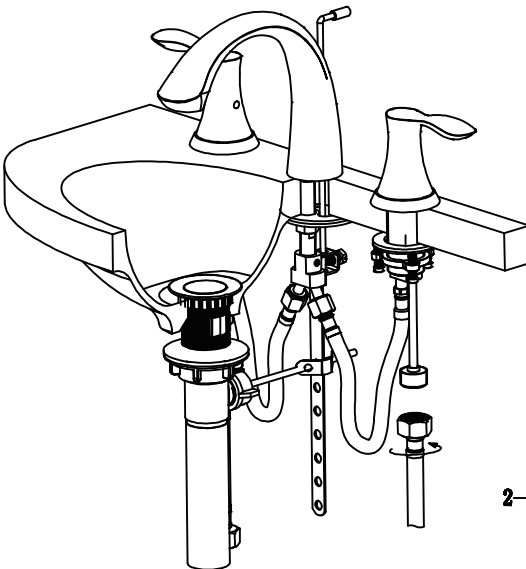
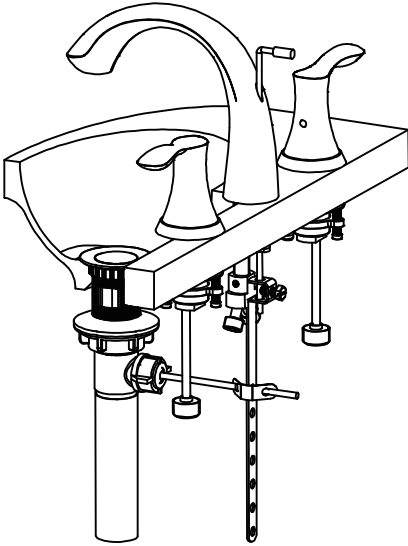
Connect the Hot and Cold Handles to the "Y" Shape Connector at the bottom of the spout with the connect hose.



Installation

6: Making the water supply connection

Making the water supply connections. Use 1/2" I.P.S Faucets connections or use supply line coupling nuts(not included)with a 3/8" O.D ball nose riser



5. Installing the drain body

A. Remove pop-up drain stopper(A) and flange(B) with top rubber washer(C) from the pop-up drain assembly .

B. Insert the drain body (D)from underneath of the sink drain hole. Replace flange and top rubber washer back to drain body . (Apply silicone between the rubber washer and the ceramic if necessary)Tighten the flange as far as possible.

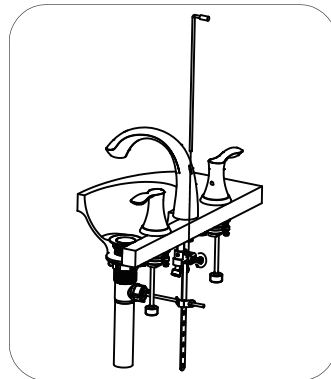
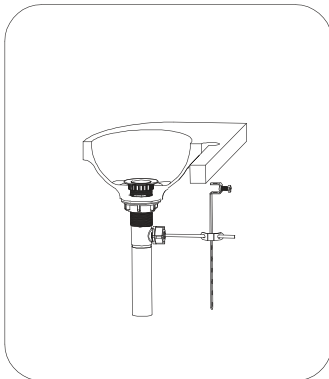
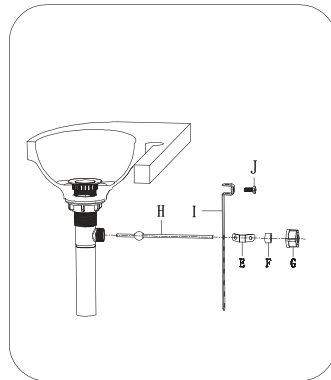
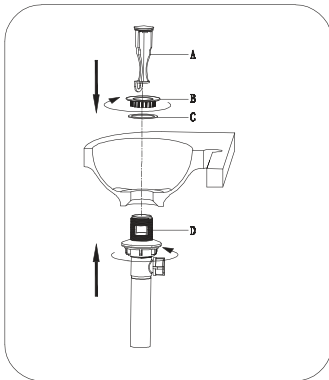
C. Slide bottom rubber washer back to drain pipe against bottom of sink. Tighten washer and lock nut firmly against base for tight seal .

D. Replace pop-up drain stopper to drain body with O-ring in piece, and align stopper hole with guide and opening.

E. Remove rod guide nut(G). Insert rod ball assembly (H) into drain body and through hole in drain stopper. Replace rod guide nut(G) and tighten.

F. Insert pop-up stem through hole on faucet body. Connect rod ball assembly to lift rod (I) using spring clip (E) to hold and adjust..

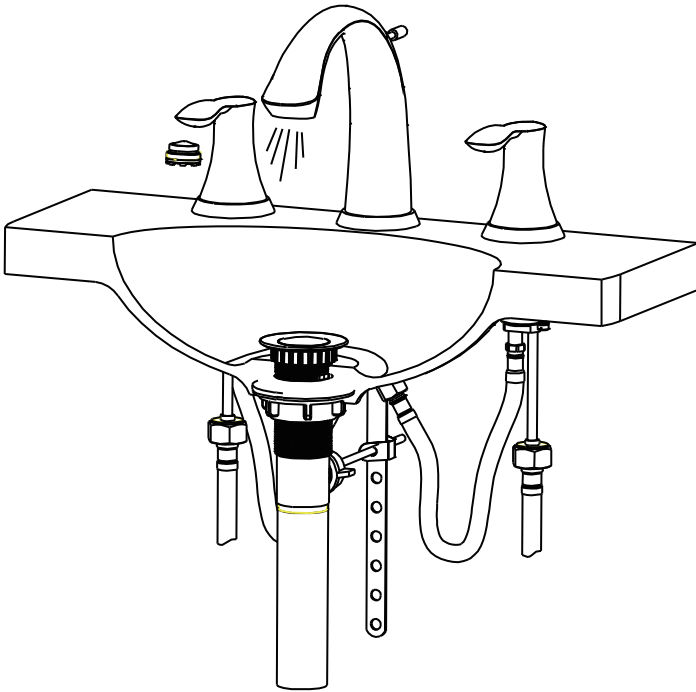
G. Attach lift rod with pop-up stem by inserting stem through hole in lift rod. Now adjusting pop-up stem to connect height and hand tighten lift rod screw(J).



Operation

Flushing and checking for leaks:

- A. Turn on the water supply and check that the faucet is operating properly and that no leakage is detected from any of its parts. Also check underneath the sink to ensure all connections are secure and that there are no leaks.
- B. Pull the handle upwards to turn on the water.
- C. Position it to the left for hotter water and to the right for colder water. To turn off the water, push the handle down.



Care and Cleaning:

To clean the faucet, wipe down with a damp cloth and then with a dry towel. DO NOT use abrasive cleaners, steel wool, or harsh chemicals when cleaning the faucet, or the warranty will be voided.

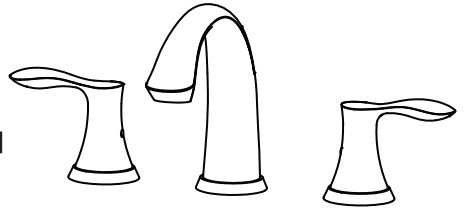
SPECIFICATIONS

Model No.: KSB8232

Wide Spread Lavatory Faucet

Description

- Wide spread, 3 Hole Installation
- Solid Brass Construction
- 1/4" Turn, Ceramic Disc Cartridge.
- 1/2 Inch NPSM Connection
- Matching Finish Pop-Up Drain Included
- 100% Pressure System Tested



Cartridge

Premium grade ceramic disc cartridge

Standards

 Third party certified IAPMO, ASME112.18.1/CAS B-125-.1cUPC

 Certified to NSF/ANSI 61/9 & 372

 Complies with Federal LeadFreePlumbing Law and code AB1953

